



## ±50 A DIN RAIL-MOUNTABLE CURRENT SENSORS

### GENERAL DESCRIPTION

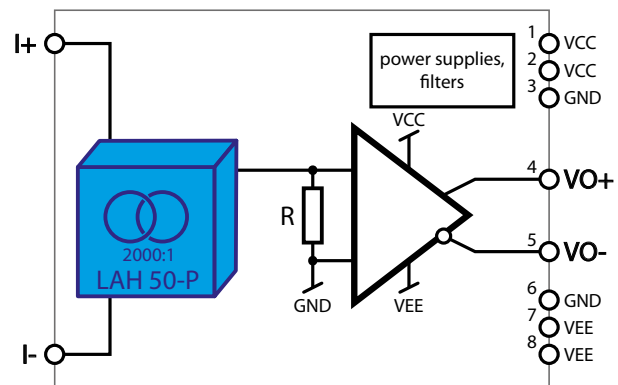
The ModuLink ±50A isolated current sensors are easy-to-use devices, tailored for power electronics applications. When employed with imperix's BoomBox control platform, the sensors provide plug&play connectivity and can be directly powered by the control platform.

The devices produce a balanced full-differential output signal, proportional to the current voltage. For best EMC performance, the output signal is typically meant to be carried by a shielded twisted pair embedded in RJ45-type cables.

Modulink sensors can be easily clipped on 35mm DIN rails and are compatible with up to 6 mm<sup>2</sup> wires. They guarantee the galvanic isolation of the sensing circuit up to 1kV<sub>RMS</sub>.

### KEY FEATURES AND SPECIFICATIONS

- ± 50 A measuring range
- 0.2-6mm<sup>2</sup> conductor cross-section (AWG 10-24)
- Minimum 200 kHz measurement bandwidth
- Balanced full-differential signal output
- Typical sensitivity of 99.0 mV/A
- 1.0 kV<sub>PK</sub> galvanic isolation (permanent)
- ± 0.45% typical precision
- Compatible with standard ± 15V power supplies
- Mountable on 35 mm DIN rails



### BOOMBOX CONFIGURATION

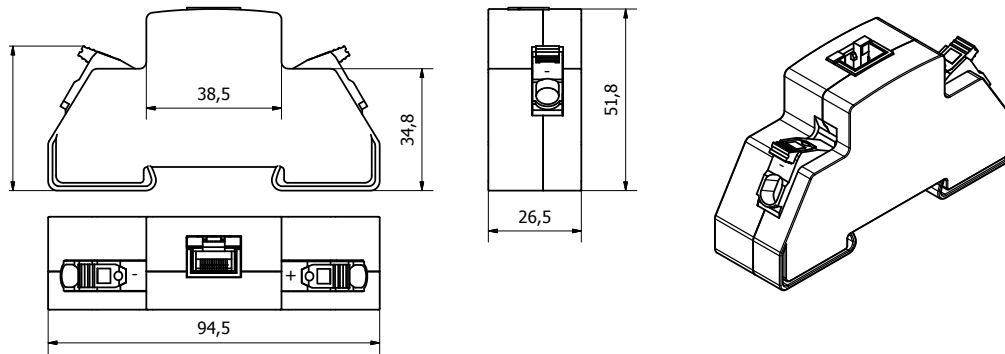
The recommended configuration for the BoomBox is shown in Table 1:

Sensitivity	Filter	Gain	Input
99.0 mV/A	Filter=NONE	G=2	High-impedance

Table 1. Suggested configuration of the BoomBox

Imperix recommends to consider calibrating each sensor for improved accuracy. When difficult, at least the offset shall be compensated for.

## MECHANICAL DIMENSIONS



## ABSOLUTE MAXIMUM RATINGS

Parameter	Symbol	Test conditions	Min.	Typ.	Max.	Unit
Maximum tolerable input current	$I_{in,max,abs}$		-	50	-	A
Maximum working isolation voltage	$V_{IORM}$		-	1.0	-	kV <sub>PEAK</sub>
Highest allowable short-term isolation voltage (60s)	$V_{IOTM}$		-	4.0	-	kV <sub>PEAK</sub>
Power supply voltages	$\pm VCC$		$\pm 12.0$	$\pm 15.0$	$\pm 16.0$	V

## SENSOR PARAMETERS

Parameter	Symbol	Test conditions	Min.	Typ.	Max.	Unit
Input current range – peak	$I_{in,nom,peak}$		-	$\pm 50$	-	A
Input current range – rms	$I_{in,nom,rms}$		-	$\pm 41$	-	A
Nominal sensitivity	$G$		-	99.0	-	mV/A
Uncalibrated sensitivity error <sup>6</sup>	$G_{ERR}$	$T_A = 25^\circ C$	-	$\pm 0.45$	$\pm 2.35$	%
Sensitivity error over temperature	$G_{ERR,t}$	$T_A = 25^\circ C$ to $85^\circ C$	-	$\pm 0.4$	-	%
Input-referred offset	$I_O$	$T_A = 25^\circ C$	-	$\pm 0.05$	$\pm 0.4$	A
Input-referred offset over temperature	$I_{O,t}$	$T_A = 25^\circ C$ to $85^\circ C$	-	$\pm 0.2$	$\pm 0.6$	A
Measurement bandwidth	$f_{3dB}$		-	200	-	kHz
Settling time	$t_d$	10%, -45A to +45A input step	-	-	2.0	$\mu s$
Input impedance	$R_{IN}$	$T_A = 25^\circ C$	-	-	2.1	m $\Omega$
Input-referred noise	$I_n$		-	0.05	-	A
Output voltage range	$V_{o,max}$		-	$\pm 4.95$	$\pm VCC$	V
Output current (short circuit)	$I_{OUT}$		-	$\pm 85$	-	mA
Power consumption	$P_{DD}$	On $\pm 15V$ power supplies, $I_{in} = 0$	-	450	-	mW

<sup>6</sup> Valid only for sensors sold after January 2017.

## CONNECTOR PINOUT

Pin	Color	Description	Pin	Color	Description
1	orange stripe	+15 V	5	blue stripe	Signal negative output
2	orange solid		6	green solid	0 V
3	green stripe	0 V	7	brown stripe	-15 V
4	blue solid	Signal positive output / current output	8	brown solid	

## CONTACT

### imperix SA

Rue de l'Industrie 17  
1950 Sion, Switzerland  
phone: +41 (0)27 552 06 60  
fax: +41 (0)27 552 06 69  
www.imperix.ch, sales@imperix.ch

## ABOUT US

Imperix SA (Ltd.) is a company established in Sion, Switzerland. Its name is derived from the Latin verb imperare, which stands for controlling and refers to the company's core business: the control of power electronic systems. Imperix SA commercializes hardware and software solutions dedicated to the fast and secure implementation of pilot systems and plants in the field of power conversion, energy storage and smart grids.

## NOTE

While every effort has been made to ensure the accuracy of this publication, no responsibility can be accepted for errors or omissions. Data may change, as well as legislation, and the reader is strongly advised to obtain copies of the most recently issued regulations, standards, and guidelines. This publication does not form the basis of a contract. Copyright 2016. All rights reserved.