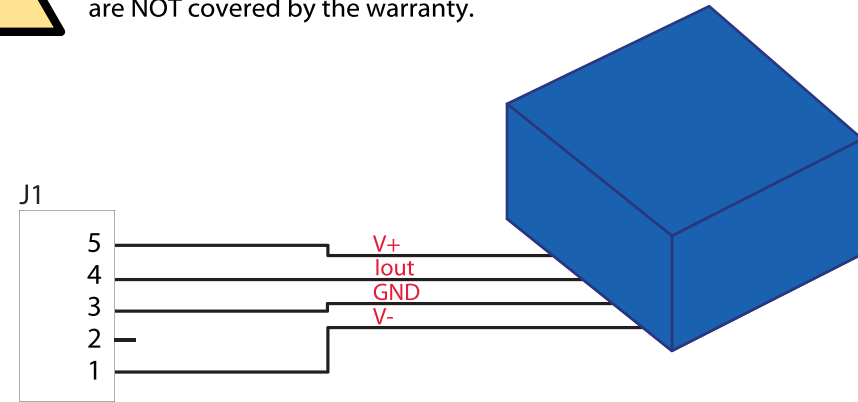


Recommended connexion to a **current-output sensor** (e.g. LEM current transducers)



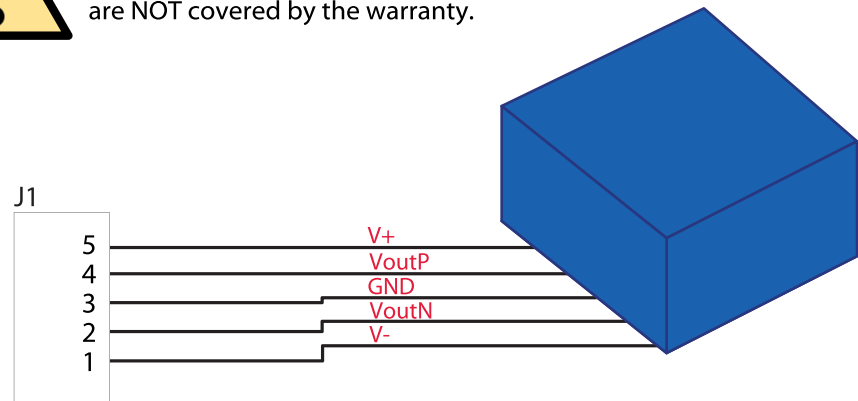
Always check that the BoomBox analog input properties/capabilities fit with with the sensor ones. Never try to draw more power than allowed (100mA). This may generate damages in the BoomBox controller that are NOT covered by the warranty.



Recommended connexion to a **differential voltage-output sensor**



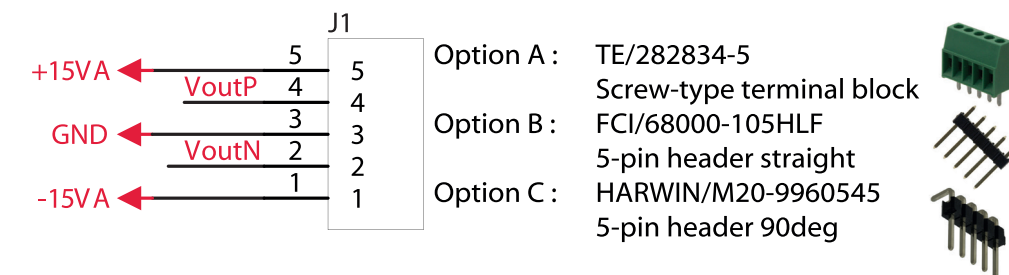
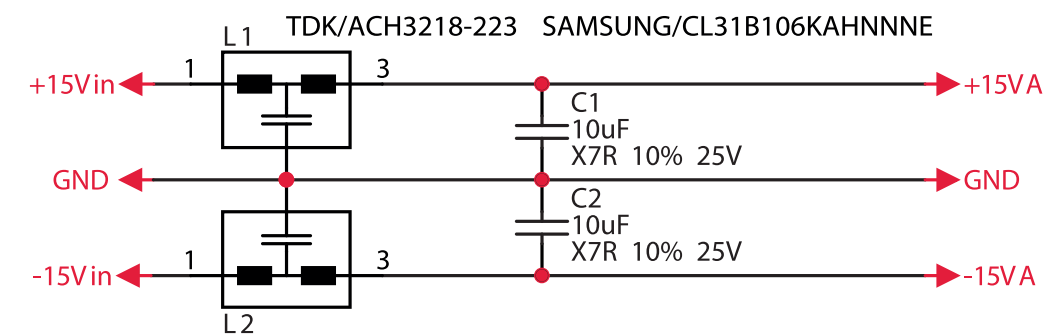
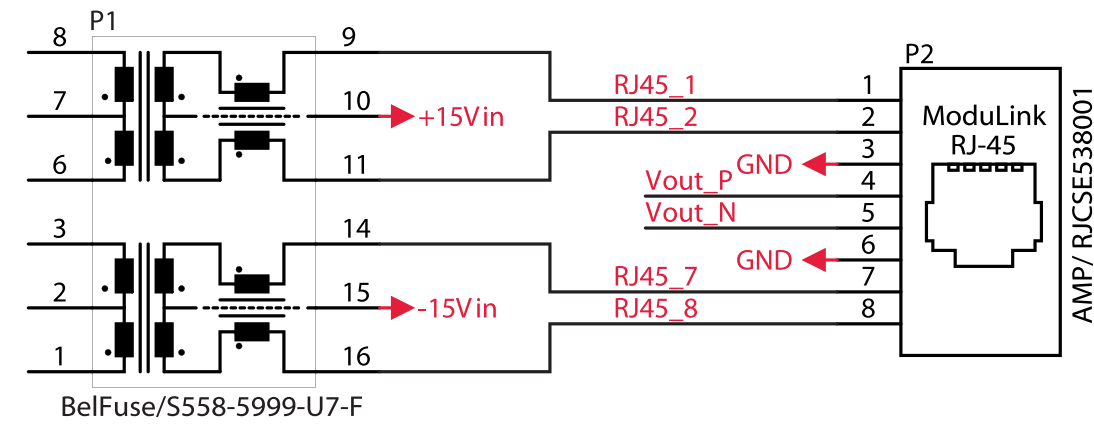
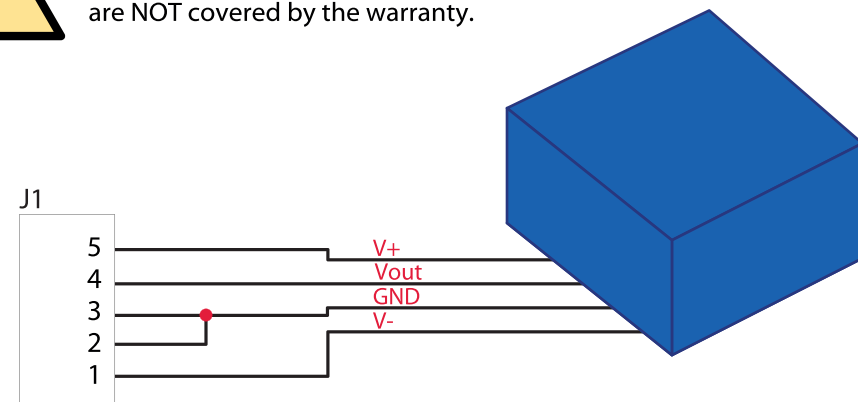
Always check that the BoomBox analog input properties/capabilities fit with with the sensor ones. Never try to draw more power than allowed (100mA). This may generate damages in the BoomBox controller that are NOT covered by the warranty.



Recommended connexion to a **single-ended voltage-output sensor**



Always check that the BoomBox analog input properties/capabilities fit with with the sensor ones. Never try to draw more power than allowed (100mA). This may generate damages in the BoomBox controller that are NOT covered by the warranty.



Analog input generic adapter for ModuLink



imperix SA
Energypolis
Rue de l'Insustrie 17
1950 Sion
Switzerland