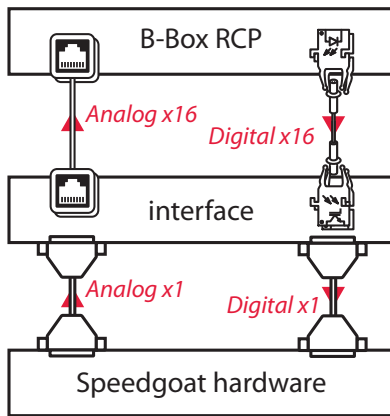


GENERAL DESCRIPTION

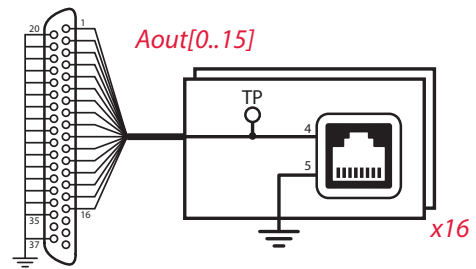
This interface interconnects the B-Box RCP controller to a Speedgoat HIL simulator.

This way, any control implementation can be first tested – without any risk – on a simulated converter; before it is later tested on real hardware. In this second step, all cables can be instantly swapped from the interface to the real converter.



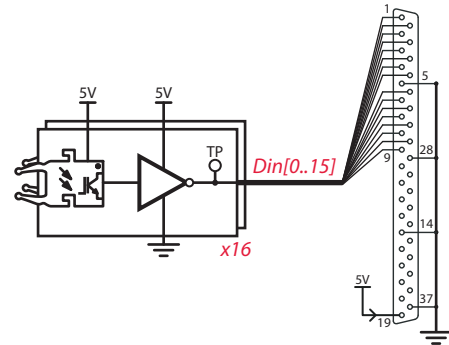
ANALOG OUTPUTS

- 16 channels, RJ45 connectors
- To be wired to analog inputs of the B-Box RCP
- -10 to 10V voltage range



DIGITAL INPUTS

- 16 independent channels
- Optical fiber wiring to digital outputs of the B-Box RCP
- Max. prop. delay difference between 2 channels: 80 ns
- 5V supplied directly by the Speedgoat HIL Simulator



CONTACT

Imperix Ltd.
Rue de la Dixence 10, 1950 Sion, Switzerland
imperix.com, sales@imperix.com

ABOUT US

Imperix develops high-end control equipment and prototyping hardware for power electronics, drives, smart grids and related topics. Its products are designed to accelerate the implementation of laboratory-scale power converters and facilitate the derivation of high quality experimental results.